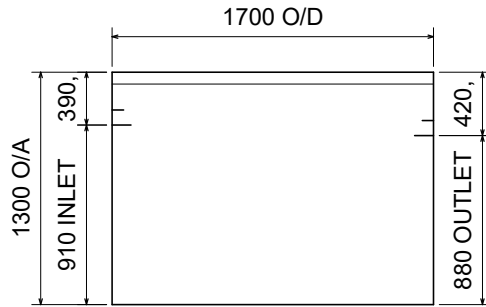


A/NZ STANDARD  
1546.1:2008  
LICENCE NO.  
1421



A/NZ STANDARD  
1546.1:2008  
LICENCE NO.  
1421

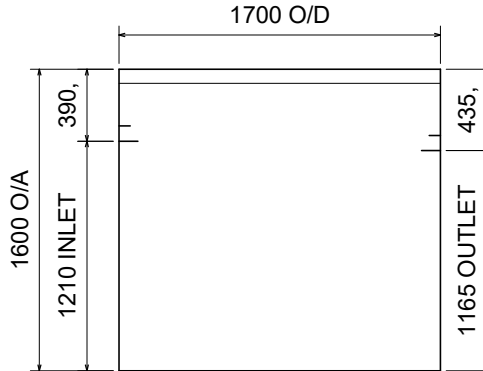
### 1500 LTS GREY WATER TANK



**HOLE SIZE**

2000 WIDE & 1220 DEEP

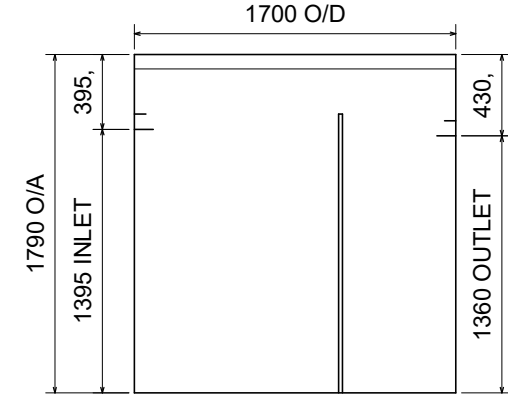
### 2050 LTS



**HOLE SIZE**

2000 WIDE & 1520 DEEP

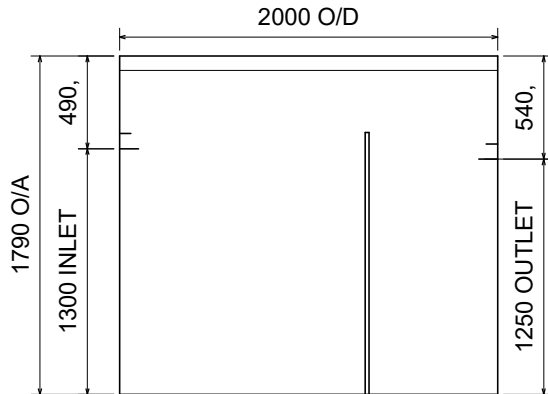
### 2300 LTS



**HOLE SIZE**

2000 WIDE & 1710 DEEP

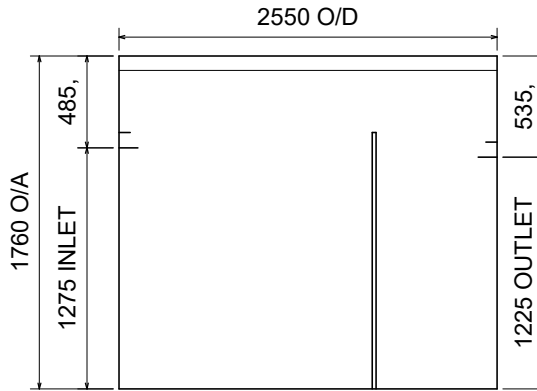
### 3000 LTS



**HOLE SIZE**

2400 WIDE & 1710 DEEP

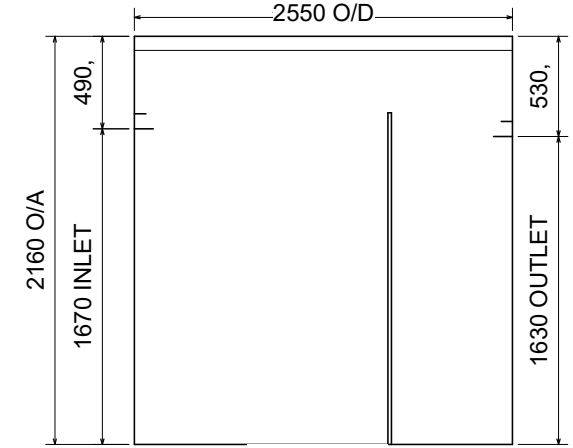
### 5000 LTS



**HOLE SIZE**

3000 WIDE & 1680 DEEP

### 7000 LTS



**HOLE SIZE**

3000 WIDE & 2080 DEEP



**GRAHAM'S PRECAST**

4-8 CRAIG ST  
KYOGLA NSW 2480  
Phone 02 66322978

admin@grahamsprecast.com.au

No	Description	Date
	Project Status	03/11/21

No	Description	Date

SEPTIC TANK SIZES

PETER GRAHAM

SEPTIC TANKS

Project number	AOO1
Date	11/03/2021
Drawn by	JD
Checked by	PJG

S.1

Approver

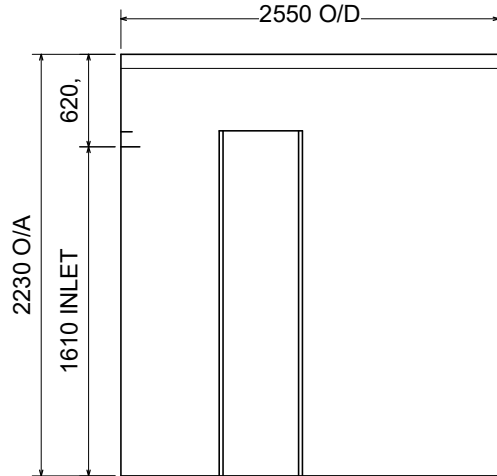
© Copyright

ANZ STANDARD  
1546.1:2008  
LICENCE NO.  
1421



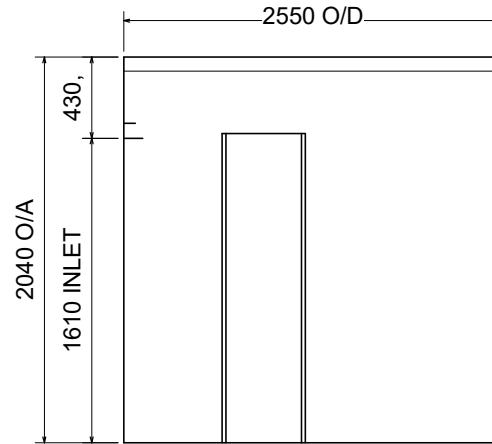
ANZ STANDARD  
1546.1:2008  
LICENCE NO.  
1421

### ECONOCYCLE TALL TANK



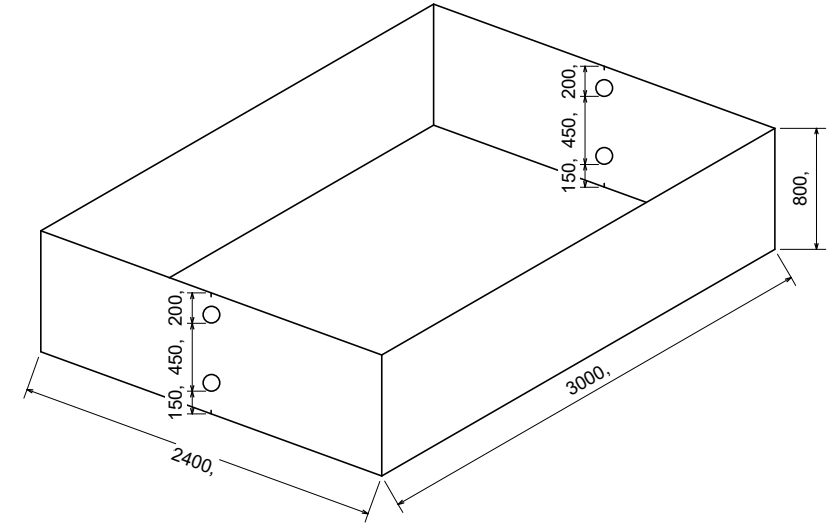
**HOLE SIZE**  
3000 WIDE & 2150 DEEP

### ECONOCYCLE SHORT TANK

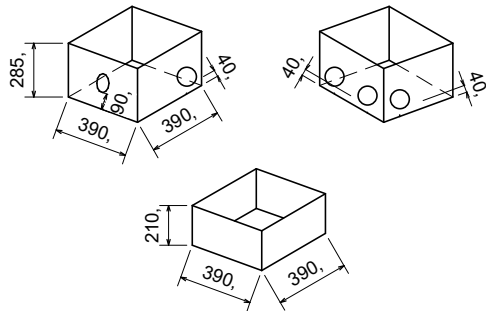


**HOLE SIZE**  
3000 WIDE & 1960 DEEP

### REED BEDS



### DISTRIBUTION BOXES & RISER



### OTHER QUALITY PRODUCTS INCLUDE:

CATTLE TROUGHS - SHEEP TROUGHS -  
CATTLE GRIDS - FEED TROUGHS  
HEAD WALLS - AND MORE.

ALL PRODUCTS ARE DELIVERED  
BY OUR TOP OF THE RANGE  
CRANE TRUCKS AND PLACED INTO  
POSITION.



**GRAHAM'S PRECAST**

4-8 CRAIG ST  
KYOGLE NSW 2480  
Phone 02 66322978

admin@grahamsprecast.com.au

No	Description	Date
	Project Status	03/11/21

No	Description	Date

SEPTIC TANK SIZES

PETER GRAHAM

SEPTIC TANKS AND REED BEDS

Project number	AOO1
Date	11/03/2021
Drawn by	Author
Checked by	Checker

S.2

Approver

© Copyright